

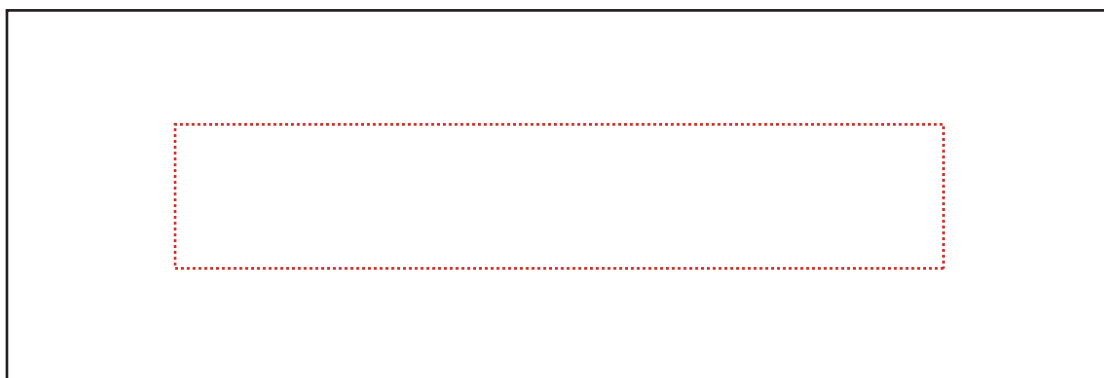
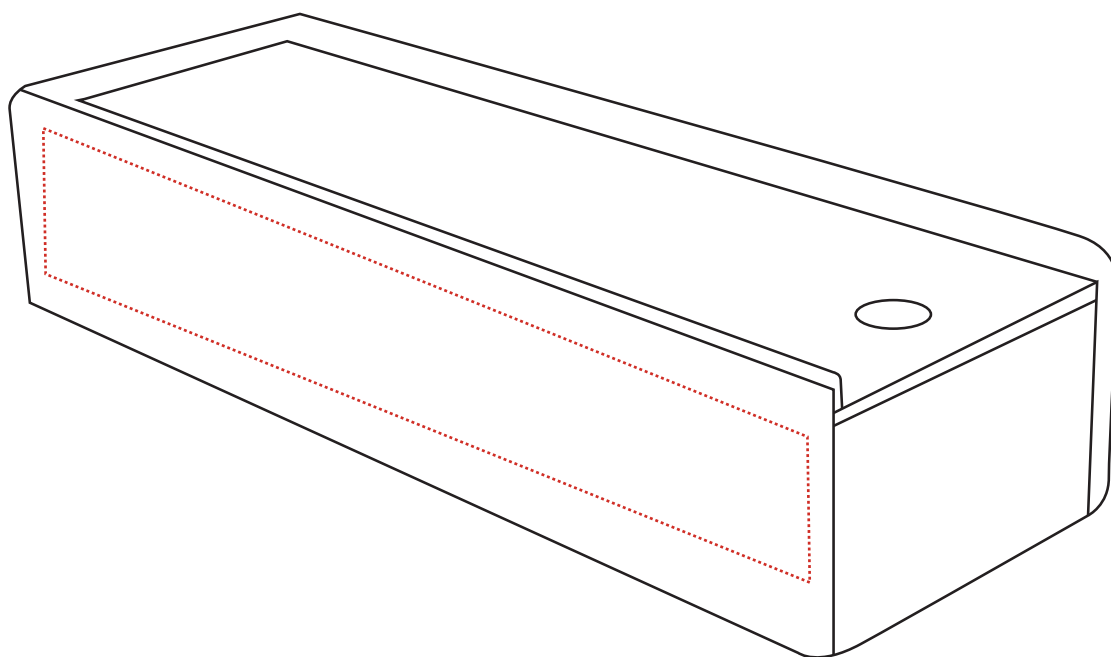
**VIECO Inc. - Promotionchoice.com**

**Proof Sheet - Dominoes In Wood Box**

**Imprint Area: 4" x 3/4"**

**Ink Color(s):**

**Small detail will fill in**



Note: Virtual Proofs are intended to be an approximate representation of what a client's logo might look like on our products. Logos and information printed on actual pieces may vary in color & size.